



Remote Control Solar Floating Fountain

USER'S MANUAL

This instruction manual contains important information for using this product correctly. Please read this manual before operating the solar floating fountain. Always save this manual for future reference!

Overview

Thank you for purchasing our solar floating fountain. You have selected a product that uses the most up-to-date solar technology available.

This solar floating fountain has been designed for pool or pond. It will be the highlight of your garden. It obtains its power from a solar module directly. In order for the solar fountain to operate, the solar module needs to be placed in **direct sunlight**.

This magic solar fountain is operated by a remote control. Simply place this unit on the water surface and press button of the remote control. The solar fountain will begin water shooting for **1-4 hours** stops automatically **or continue running until battery runs out**. In due course, you can switch off the unit by pressing "D" button anytime.

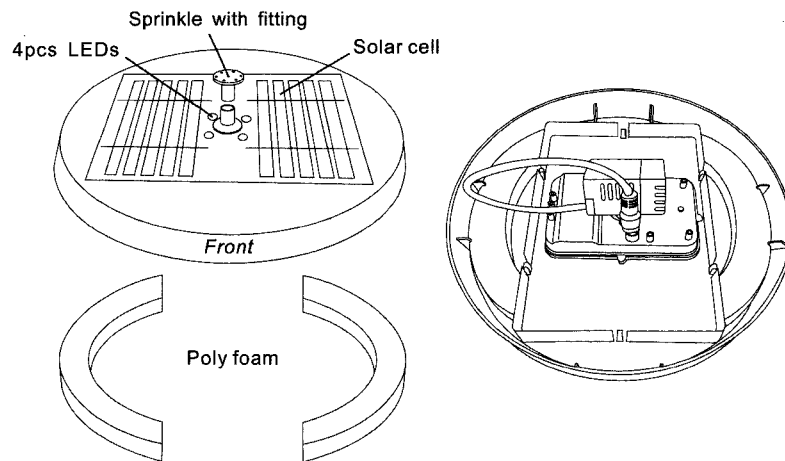
In evening, four built-in color LEDs will give light automatically to enhance the beauty scene of the water jet.

Packing list

Solar floating fountain; Remote control; Sprinkler heads;

Caution

- ✧ Do not strike the solar floating fountain or the remote control
- ✧ Do not scratch the surface of the solar panel
- ✧ Do not let the pump run dry for a long time
- ✧ Operate in fresh water only



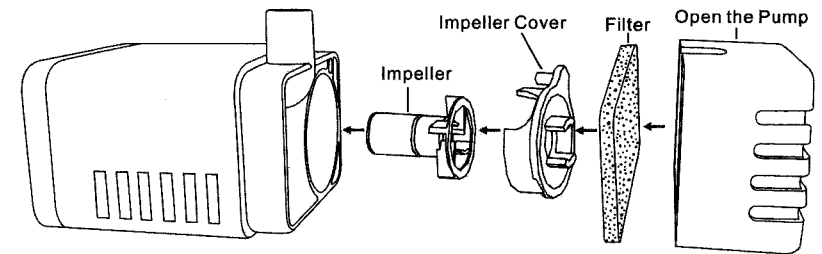
Assembly and Using your product

- ✧ Place the solar floating fountain under full sunlight for a whole day before you use it the first time.
- ✧ Remove the stopper of the DC pump socket, twist the pump plug slightly and push it into the hole of the pump socket, and then connect the vent of pump with the hose in the middle of the rear side of solar panel.
- ✧ Choose a sprinkle fitting for the type of the fountain spray that you want to see.
- ✧ Find a sunny location for the fountain and place the floating solar fountain on the water surface and it is now ready to use.
- ✧ Press the “A” button of the remote control to turn on the pump for 1-4 hour running. One press for one hour, two press for two hours, three press for three hours and four press for four hours.
- ✧ Press the “B” button of the remote control to turn on/off or choose the color of LED lights.
- ✧ Press the “C” button to control the water lift, there are five level of the water lift.
- ✧ Press the “D” button of the remote control, the pump will run until battery use up. When pump is running, press D to turn off the pump.

NOTE: The LED lights only turn on when day goes dark.

Maintenance

- ✧ Solar panel: The panel should be cleaned periodically with a soft tissue. Regular cleaning of the panel is advised to maintain optimum conversion of the sun’s energy into direct current.
- ✧ Pump: If, after a period of time, the pump starts to lose power or stops working check for the build up of sediment, scale or dirt in the filter. Remove the pump cover and the impeller cover. Take out the impeller and remove any sediment, scale or dirt that has built up. Take out the 2pcs of filter from two side of the pump and clean them by fresh water.



- ✧ Disconnect the pump plug to cut off the power connection of battery if it will not be used over **ONE** week.

Storage

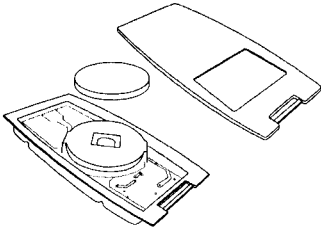
- ✧ Please charge the battery for at least a day in direct sunlight when the first time using the solar pump or when you store the solar pump for a winter.
- ✧ In order to keep the battery long life, please charge the solar pump to fully charge status and plug-out the pump from the solar panel before you store the solar pump into warehouse.

Troubleshooting

✧ **Press the remote control button, but no water shoots out:**

Check--The distance between remote control and the solar fountain might be beyond 10 meters or there may have major obstacle between remote control and the fountain unit.

Check--If the LED on remote control does not light up when button is being pressed, replace the button cell battery inside.



Open the remote control back cover carefully. Replace the button cells by a fresh set according to polarity shown as diagram.

✧ **Water shoots out only for a minute and then it stops working:**

Battery energy may be almost used up. Don't switch on any more until after a full sunlit day has recharged batteries.

✧ **Pump runs but no water is being shoot from fountainhead**

Build up of sediments & scale in pump impeller. Refers to details in MAINTENANCE section for water pump maintenance

Technical data

Solar Panel:	2.0 W
Operating Voltage	6V DC
Water Flow Max.	200 LPH
Water Projection Height	Max. 0.6M
LED Light	4 LED color light
Rechargeable Battery	Lithium battery 3.7V-2000mAH
Remote control distance	Max.10 meters

PondXpert

A3 Bentley Avenue

Billingham

TS23 4BU UK

01642 370898

www.pondxpert.co.uk



This product is guaranteed for a period of 12 months from the date of purchase for material or manufacturing defects. The guarantee covers the substitution of defective parts.. If your pondXpert pump fails please take it back to the retail outlet from where it was purchased. You will be required to take your receipt/proof of purchase with you. This does not affect your statutory rights.